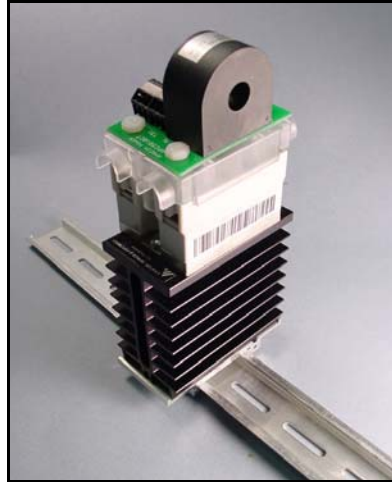




"COOL ONE" TOP MOUNT 10-50A CURRENT TRANSFORMER ASSEMBLY



APC2306
Current Transformer Module



APC7130 SSR Assembly
w/ APC2036 Mounted

Functions as a load monitor for currents up to 50A AC. Current Transformer circuitry provides for either 0-50 ma ac or 0-10 volts dc, adjustable from a multi turn pot. The Current Transformer provides 1ma per amp. Assembly mounts on top of any solid state relay via press-on adaptor which also provides touch safe feature for active high voltage terminal of relay and allows the relay assemblies to be mounted side by side to save space.

Standard "COOL ONE" Features:

- 0-10vdc signal proportional input amps
- Output voltage pot adjustable from 10 to 50Amps
- Over voltage zener protected to 15Vdc
- CT output 1ma/A
- Attaches to all standard Hockey Puck Style SSR's
- Panel Mountable
- Small outline maintains SSR DIN side by side mounting

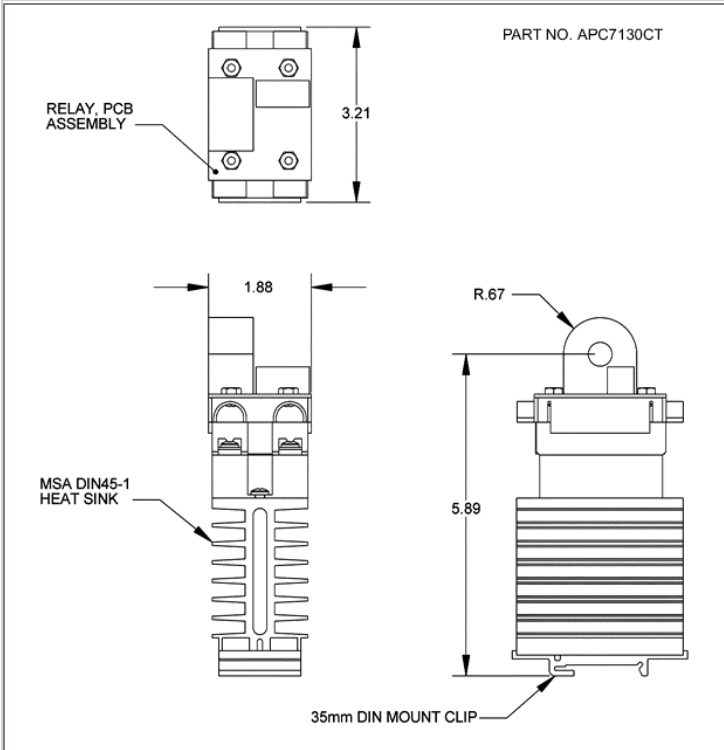
Notes:

- DC Output factory adjusted to 10V @ 50A
- Turn pot clockwise to adjust to lower currents

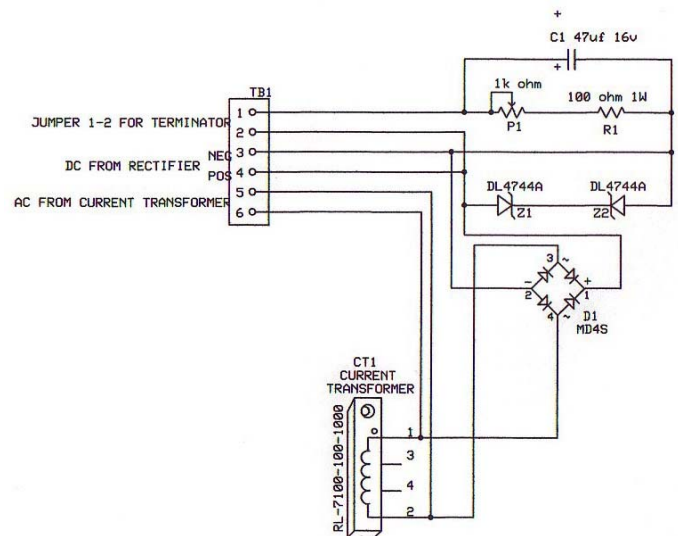
SPECIFICATIONS

PART NUMBER	LINE CURRENT	CT OUTPUT	LINE VOLTAGE	TRANSIENT VOLTAGE	RELAY TYPE
APC2306	10-50Amps AC	1ma AC per Amp or 0-10Vdc	24-660Vac	Zener Protected to 15Vdc Max	Zero Cross or RTO

MECHANICAL DRAWING



CT BOARD SCHEMATIC





ANACON POWER & CONTROLS

Relay Assembly Specialists
An Anacon Electronic Sales, Inc. Company

10-50 AMP Rated
Current Transformer

2254 Main St. Concord, MA 01742-3829 - TEL: 800-466-9080 - 978-287-0715 - FAX: 978-287-0952
www.anaconpower.com email: sales@anaconpower.com

"COOL ONE" TOP MOUNT 10-50A CURRENT TRANSFORMER ASSEMBLY

CONNECTION DIAGRAM

