

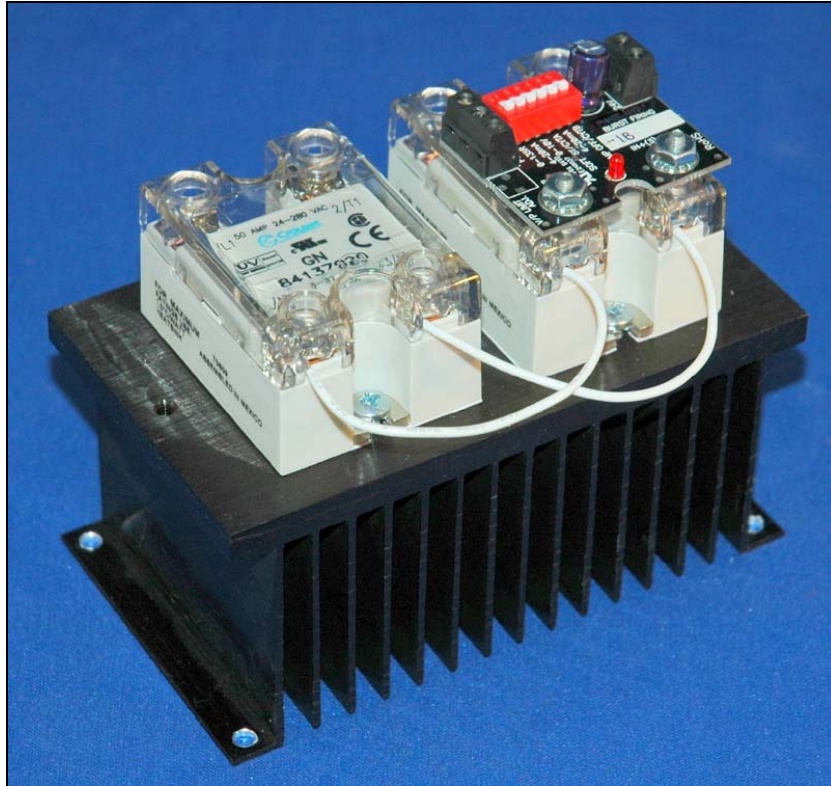


# ANACON POWER & CONTROLS

Relay Assembly Specialists  
An Anacon Electronic Sales, Inc. Company

2254 Main St. Concord, MA 01742 - TEL: 800-466-9080 - 978-287-0715 - FAX: 978-287-0952  
[www.anaconpower.com](http://www.anaconpower.com) email: [sales@anaconpower.com](mailto:sales@anaconpower.com)

## APCMAN-1LP SERIES USERS MANUAL



4-20MA LOOP POWERED BURST FIRING MODULE



# ANACON POWER & CONTROLS

Relay Assembly Specialists  
An Anacon Electronic Sales, Inc. Company

2254 Main St. Concord, MA 01742 - TEL: 800-466-9080 - 978-287-0715 - FAX: 978-287-0952  
[www.anaconpower.com](http://www.anaconpower.com) email: [sales@anaconpower.com](mailto:sales@anaconpower.com)

## TABLE OF CONTENTS

<i>Section</i>		<i>Page</i>
1	<a href="#">Ordering Code</a> .....	3
2	<a href="#">Description</a> .....	3
2.1	<a href="#">Features</a> .....	3
3	<a href="#">Installation</a> .....	3
3.1	<a href="#">Mounting Instructions</a> .....	4
4	<a href="#">Operation</a> .....	4
4.1	<a href="#">Command Input</a> .....	4
4.1.1	<a href="#">Input Fail-Safe Protection</a> .....	4
4.2	<a href="#">Control Output</a> .....	4
4.2.1	<a href="#">Cycle Time</a> .....	5
4.2.2	<a href="#">Linearity</a> .....	5
4.2.3	<a href="#">Zero and Span Pots</a> .....	5
4.3	<a href="#">Three Phase Operation</a> .....	6
4.4	<a href="#">Wiring of Multiple APCMAN-1LPs</a> .....	6
5	<a href="#">Electrical Specifications</a> .....	6
6	<a href="#">Mechanical Dimensions &amp; Connection Diagram</a> .....	6
7	<a href="#">APCMAN-1LP Wiring Diagram</a> .....	7
8	<a href="#">Contact Information</a> .....	7



# ANACON POWER & CONTROLS

Relay Assembly Specialists  
An Anacon Electronic Sales, Inc. Company

2254 Main St. Concord, MA 01742 - TEL: 800-466-9080 - 978-287-0715 - FAX: 978-287-0952  
[www.anaconpower.com](http://www.anaconpower.com) email: [sales@anaconpower.com](mailto:sales@anaconpower.com)

## 1 Ordering Code

### APCMAN-1LP

SSR Mount Power Control Module, Burst Firing Output, 4-20mA Input

### APCMAN-1LP-ZS

SSR Mount Power Control Module, Burst Firing Output, 4-20mA Input with Zero and Span Pots

## 2 Description

The APCMAN-1LP is power control module designed for use with standard footprint zero cross or random fire SSRs (Solid State Relays). The module mounts directly on the SSR's input screws and derives its power from the 4-20mA command input. The module operates by burst firing the SSR's control input. The power delivered to the load is proportional to the command input signal.

### 2.1 Features

- Provides precise time proportioned 0-100% output
- Loop powered – no external power supply required
- 4 to 20mA command signal input
- Drops only 6.3 Volts of total loop voltage
- Drives multiple Solid State Relays (SSRs)
- Installs in seconds – mounts on SSR input terminals
- On board LED Indication
- Limited Two Year Warranty

## 3 Installation



**WARNING: FIRE HAZARD!!** Even quality electronic components CAN FAIL KEEPING FULL POWER ON! Provide a SEPARATE (redundant) OVER TEMPERATURE SHUTDOWN DEVICE to switch the power off if safe temperatures are exceeded.



**WARNING: HIGH VOLTAGE!!** This control is installed on a Solid State Relay with high voltage on it. This control must be installed in a GROUNDED enclosure by a qualified electrician in accordance with applicable local and national codes including NEC and other applicable codes. Provide a safety interlock on the door to remove power before gaining access to the device.



# ANACON POWER & CONTROLS

Relay Assembly Specialists  
An Anacon Electronic Sales, Inc. Company

2254 Main St. Concord, MA 01742 - TEL: 800-466-9080 - 978-287-0715 - FAX: 978-287-0952  
[www.anaconpower.com](http://www.anaconpower.com) email: [sales@anaconpower.com](mailto:sales@anaconpower.com)

---

## 3.1 Mounting Instructions

The APCMAN-1LP mounts directly to the control input terminals of an SSR. Some relays have short input screws and longer screws will be required to reach through the contacts on the APCMAN-1LP. Be sure to observe the correct polarity when mounting the module.

## 4 Operation

### 4.1 Command Input

The APCMAN-1LP can accept a 4-20mA input. If more than one APCMAN-1LP is to be used from the same drive signal, the APCMAN-1LP inputs should be connected in series. The command input is direct acting, meaning that as the input value increases, the control output increases in direct proportion.

#### 4.1.1 Input Fail-Safe Protection

If the signal sent to the APCMAN-1LP's command input should become electrically open, the module's output will be forced to an off state since power will be lost.

### 4.2 Control Output

The APCMAN-1LP's SSR output drive is a DC pulsed current limited 4.2V@14mA drive signal. This is more than enough current for driving most 3-32V standard SSRs, however it is still important to review the datasheet for the SSR you would like to use for compatibility with the APCMAN-1LP's output drive.



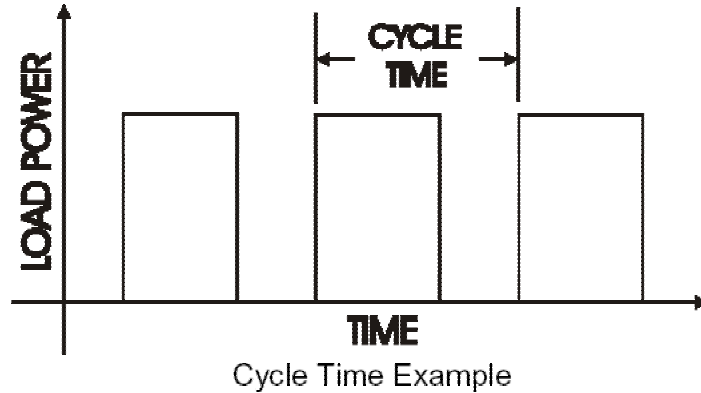
# ANACON POWER & CONTROLS

Relay Assembly Specialists  
An Anacon Electronic Sales, Inc. Company

2254 Main St. Concord, MA 01742 - TEL: 800-466-9080 - 978-287-0715 - FAX: 978-287-0952  
[www.anaconpower.com](http://www.anaconpower.com) email: [sales@anaconpower.com](mailto:sales@anaconpower.com)

## 4.2.1 Cycle Time

The APCMAN-1LP has one available cycle time of 350mS (@50%). Custom cycle times are available upon request.



The APCMAN-1LP is designed to provide the maximum control resolution and response time using a varied output cycle time. While the cycle time is specified at 350mS, this is at 50% power or 12mA input. As 4mA or 20mA is approached, the cycle time increases to limit the minimum on / off times to 100mS. This advanced approach maximizes the control resolution when the module is used with a zero cross fired SSR.

The cycle times change with the command input as follows:

<b>Command</b>	5mA	6mA	8mA	12mA	16mA	18mA	19mA
<b>Cycle Time</b>	1.3s	0.7s	0.4s	0.35s	0.4s	0.7s	1.3s

## 4.2.2 Linearity

The control output linearity is +/-2% for the version without the zero and span potentiometers. Much tighter linearity can be achieved by adjusting the zero and span pots to optimize the linearity over the control range of the process.

## 4.2.3 Zero and Span Pots

The APCMAN-1LP can be ordered with Zero and Span pots as the APCMAN-1LP-ZS. This version allows the user to calibrate the low and high ends of the control range for the best possible linearity over the control range. It will also allow use of the module in load balancing applications and to skew the output response to meet specific needs.



# ANACON POWER & CONTROLS

Relay Assembly Specialists  
An Anacon Electronic Sales, Inc. Company

2254 Main St. Concord, MA 01742 - TEL: 800-466-9080 - 978-287-0715 - FAX: 978-287-0952  
[www.anaconpower.com](http://www.anaconpower.com) email: [sales@anaconpower.com](mailto:sales@anaconpower.com)

## 4.3 Three Phase Operation

One APCMAN-1LP can be used to control two poles of a three phase load using two SSRs with their control inputs wired in parallel. The Module should be wired as shown in the wiring diagram, but with separate load circuits for each leg. Make sure that the total input current requirements of the two SSRs can be achieved with the APCMAN-1LP.

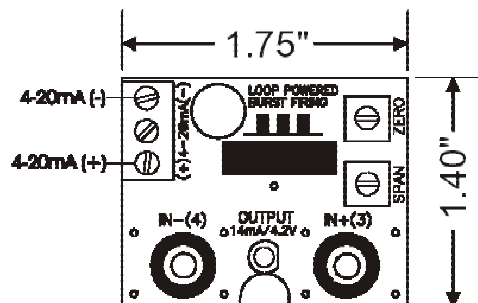
## 4.4 Wiring of Multiple APCMAN-1LPs

If more than one APCMAN-1LP is to be used from a single command signal, the command inputs should be wired in series, not in parallel.

## 5 Electrical Specifications

Command Input	4 to 20mA.
Control Output	4.2V/14mA. Short Circuit Protected. Control output is direct acting.
Cycle Time	350mS at 50% output. Cycle Time greater at ends for optimal output resolution.
Output Linearity	+/-2% of Full Scale. (+/-1% with zero and span pots).
Zero Pot Adjustment	+/-2% of Full Scale.
Span Pot Adjustment	+/-8% of Full Scale.

## 6 Mechanical Dimensions & Connection Diagram



Max Height is 0.6"

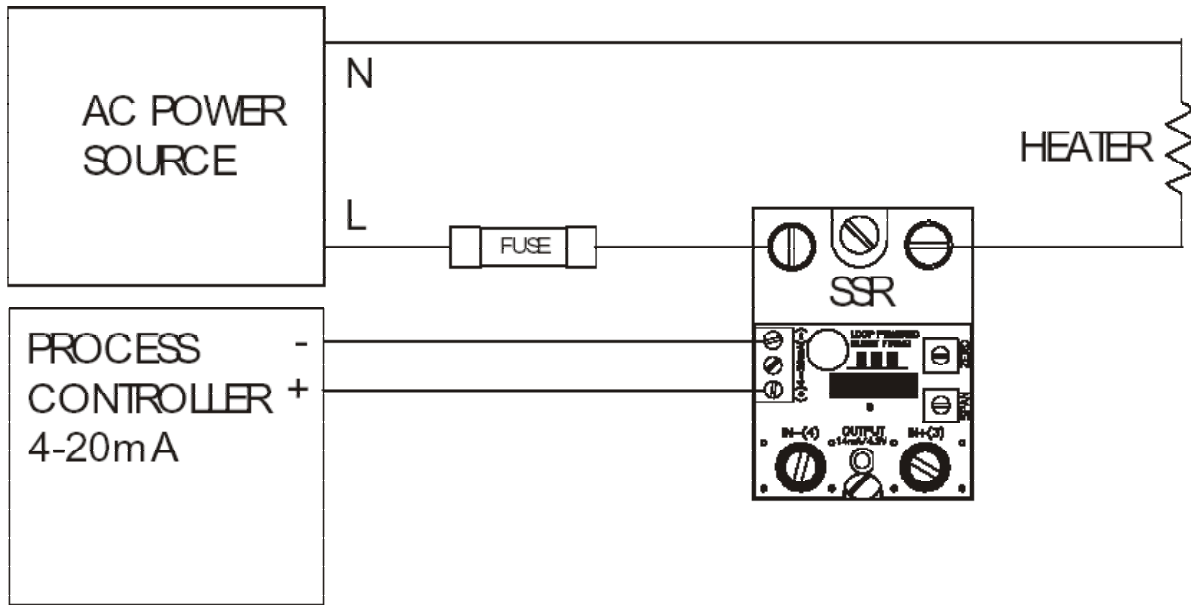


# ANACON POWER & CONTROLS

Relay Assembly Specialists  
An Anacon Electronic Sales, Inc. Company

2254 Main St. Concord, MA 01742 - TEL: 800-466-9080 - 978-287-0715 - FAX: 978-287-0952  
[www.anaconpower.com](http://www.anaconpower.com) email: [sales@anaconpower.com](mailto:sales@anaconpower.com)

## 7 APCMAN-1LP WIRING DIAGRAM



## 8 Contact Information

Anacon Power & Controls  
800-466-9080  
[www.anaconpower.com](http://www.anaconpower.com)